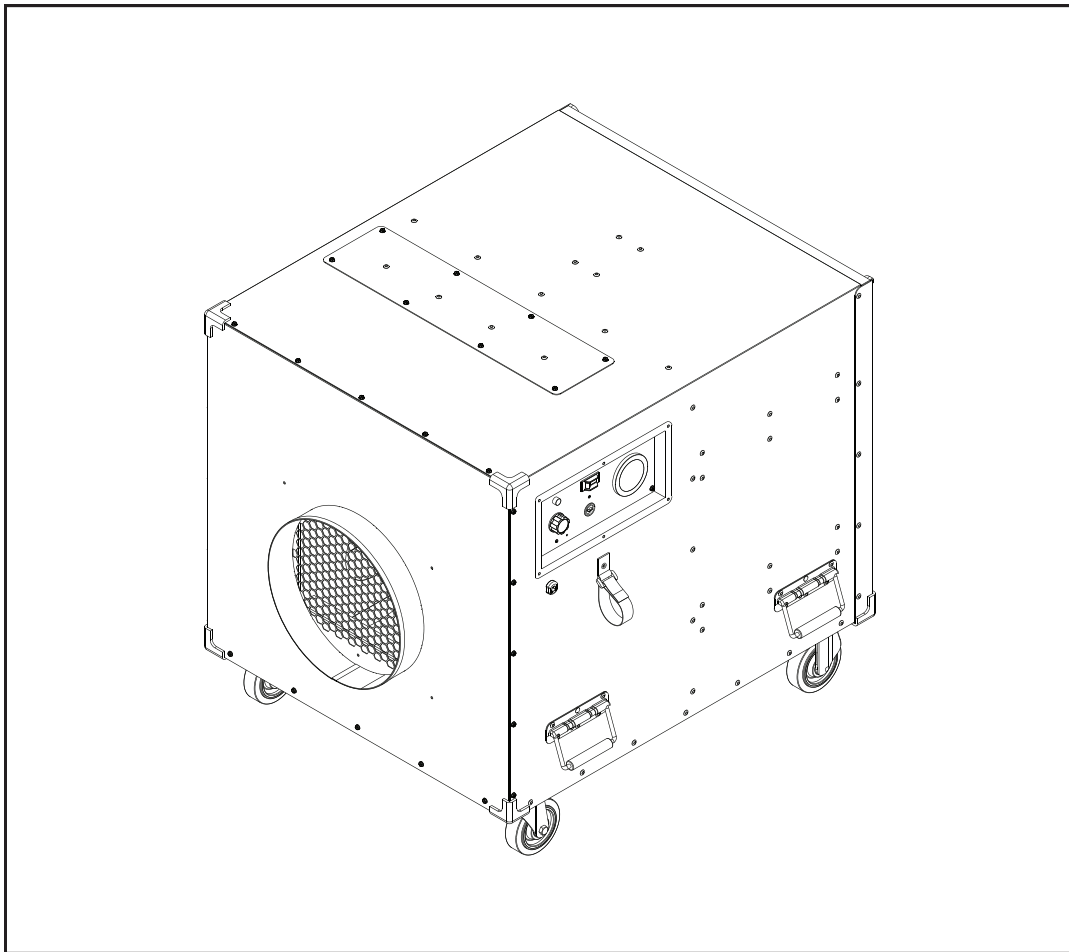


PuriSystems Owner's Manual



HEPA Pro UVIG

READ AND SAVE THESE INSTRUCTIONS

E-mail: sales@purisystem.com

**Add: 8605 SANTA MONICA BLVD #79525
WEST HOLLYWOOD, California, 90069 USA
Tel: 880-990-7469**

Table of Contents

Safety Notes 1

Introduction 2

Application 2

Identification 2

How it Works 2

Key Features 3

Instructions 4

Wiring Diagram 7

Specification 8

Warranty 8

WARNING!

Please note that the PureAiro HEPA Pro UVIG should only be used with parts approved by PuriSystems. The use of unauthorized parts or alterations to the machine could void your warranty. Contact an approved distributor for further assistance.

SAFETY NOTES

To Avoid the Risk of Fire or Electric Shock:

- The unit must be electrically grounded.
- Do not stack/place heavy objects on the machine and power cord.
- Please check the power cord for damage (wear, cuts, etc.) before use.
- Please check if the filter is damaged before use.
- Do not touch the product with wet hands.
- Before plugging the power cord into the power outlet, turn off the power switch on the unit.
- When water enters the machine, pull out the power plug and completely dry the machine before use.
- Unplug the power plug during thunder or thunderstorms.
- Do not place this product in a humid place. Otherwise, there may be dangers such as electric leakage or electric shock.
- Do not install it in a place where flammable gas is generated.
- Please clear any obstructions on the air inlet and outlet before use.
- When cleaning the surface of the unit, unplug the power cord and wipe it with a soft cloth to avoid scratching the unit. Do not use wet cloth, wax, or thinner.
- Do not put your hands or foreign objects into the air inlet or outlet. Otherwise, product failure or physical injury may occur.
- Do not put your hand or foreign object into the air inlet or outlet to avoid physical injury and product damage.
- When using PuriSystems HEPA Pro UVIG indoors, please turn off combustion equipment such as fireplaces, furnaces, water heaters, and HVAC systems to avoid the risk of reverse emissions of carbon monoxide gas.
- When repairing with PuriSystems HEPA Pro UVIG, be sure to lock the casters to avoid collision accidents.
- Disconnect the power supply before maintenance

※ Keep this manual in a visible place near the machine for easy access.

INTRODUCTION

The PuriSystems HEPA Pro UVIG is a convenient filtration system that cleans the air. The PuriSystems HEPA Pro UVIG uses an effective blend of air flow and advanced filtration to expel airborne particles, like mold spores, dust, pollen, and pet dander. The PuriSystems HEPA Pro UVIG is ideal for restoration jobs, including water, sewage, and fire.

APPLICATION

Odor Control

When used with the optional activated carbon filter (P/N:), PuriSystems HEPA Pro UVIG is also excellent in odor control. Simply put the carbon filter in the pre-filter tank and it will capture a variety of odor-causing gas molecules, such as volatile organic compounds (VOC's), smoke, soot, and paint odors.

Other Use

The cleaner is also useful in many other applications, including mold repair, fire damage, dust control, and sewage repair.

IDENTIFICATION

Congratulations on purchasing a PuriSystems HEPA Pro UVIG air scrubber. In order to take advantage of the warranty plan, be sure to note the serial number and date of purchase.

Serial Number: _____

Date of Purchase: _____

HOW IT WORKS

When set to maximum airflow, the scrubber draws air through two types of filters - a pre-filter and a HEPA/Activated Carbon Filter.

1. Pre-Filter

The first phase of filtration, the pre-filter, captures initial dust and allergen particles.

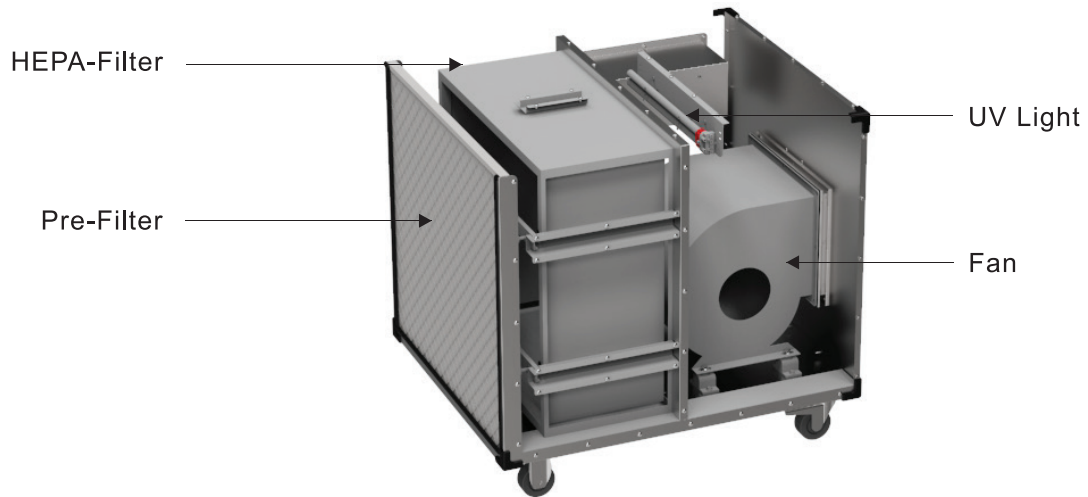
2. High Efficiency Air Filter H13

The second stage of filtration, the HEPA filter, captures small particles up to 0.3 microns. Helps control and prevent the growth of bacteria, germs and mold. Captures 99.99% of dust and allergens.

3. UV-C Light

UV-C light technology works with filters to enhance the elimination of airborne germs. Titanium Dioxide is activated by the UV-C light to decompose the remaining odor molecules caused by smoking, cooking, and pets.

KEY FEATURES



INSTRUCTIONS

THE CONTROL PANEL

Power Indicator

When the switch is turned ON, the indicator light will turn on. When the switch is turned OFF, the indicator will turn off.

Circuit Breaker Switch

The Circuit Breaker Switch is designed to prevent more than 12 amps of current from passing through the circuit. If this happens, the switch will cut off power to the machine.

Gear Switch

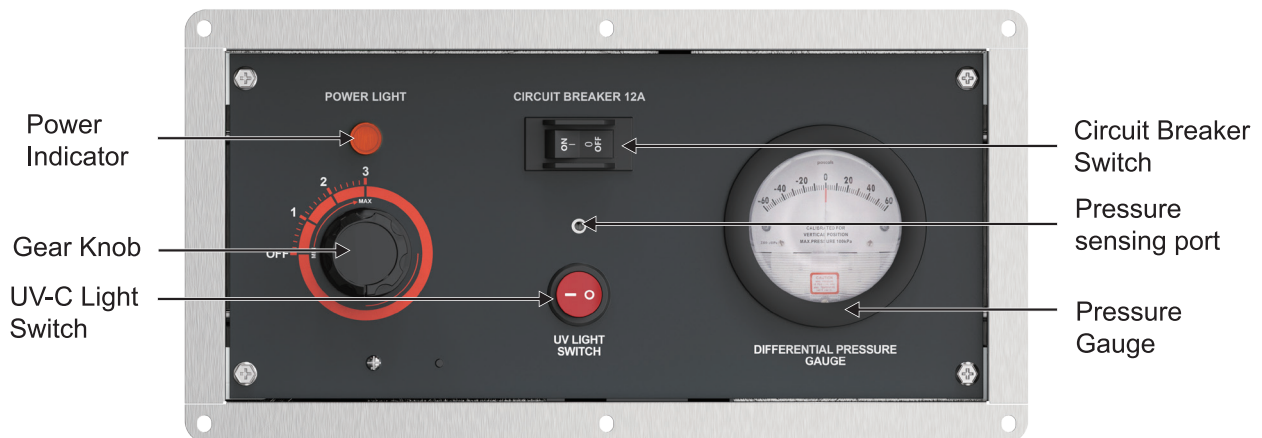
Rotate the knob clockwise to adjust the gears. The initial position is off. Gears 1, 2 and 3 correspond to low, medium, and high speeds respectively.

UV-C Light Switch

To turn ON/OFF the UV Light.

Pressure Sensing Port

Used for differential pressure gauge to detect the pressure value. Pay attention to check whether the port is blocked before use.



Parts replacement

1. Change the filter

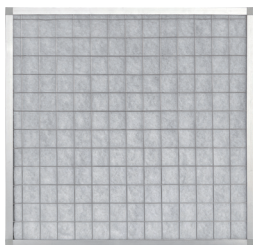
First, turn off the unit and then unplug the plug. Pull up the Pre-filter, twist the internal fixed knob and remove the fixed rod. Take out the HEPA filter and replace it with a new HEPA filter. Install the fixed rod after the replacement and tighten the knob. Insert a new Pre-filter and the replacement is complete.

2. Change the UV-C Light

First, turn off the unit and unplug the plug. Pull up the Pre-filter, twist the internal fixed knob and remove the fixed rod. Take out the HEPA filter, pull out the UV lamp to the left to separate it from the lamp holder, and remove UV-C light. Replace it with a new UV-C light and put in the HEPA filter. Install the fixed rod and tighten the knob. Insert a new Pre-filter and replacement is complete.

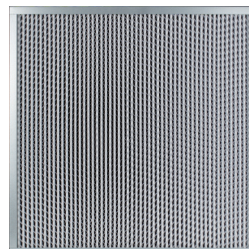
FILTER

Filter grade and size chart



PRE-FILTER PANEL

1. Size: 27.0X26.0X0.8(inch)
2. An Aluminum frame is put around the outer edge. It can collect dust of 10~20µm up to 90% in accordance with the standard of weight method.



H13 FILTER

1. Size: 24.0X24.0X11.5 (inch)
2. It can collect dust of 0.3 µm up to 99.97% in accordance with the standard of weight method.



ACTIVATED CARBON FILTER

1. Size: 24.0X24.0X11.5(inch)
2. Activated carbon filter has efficient adsorption performance and can be used for air purification. The activated carbon filter material contains 100% surface adsorption capacity to remove volatile organic compounds (such as formaldehyde, toluene, hydrogen sulfide, chlorobenzene) and pollutants in the air.



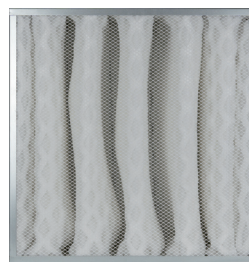
H14 FILTER

1. Size: 24.0X24.0X11.5(inch)
2. The H14 Filter has an effective rate of 0.1 micron and 0.3 microns that reaches 99.998%, which makes this the most effective filter for pollutants such as smoke, dust, and bacteria.



F8 FILTER

1. Size: 24.0X24.0X11.5(inch)
 2. F8 medium efficiency filter
- Applicable models: HEPA Pro UVIG
Trap dust particles larger than 1 µm.



PAINT FILTER (F6)

1. Size: 24.0X24.0X11.5(inch)
 2. Paint filter (F6)
- Applicable models: HEPA Pro UVIG
It can effectively filter paint, oil, glass material, epoxy resin, tar, Teflon, liquefied workpiece, plastic, baking porcelain, dye, painting class, airdrying porcelain, etc.

Note: The activated carbon filter, H14 filter, F8 filter and paint filter are sell separately.

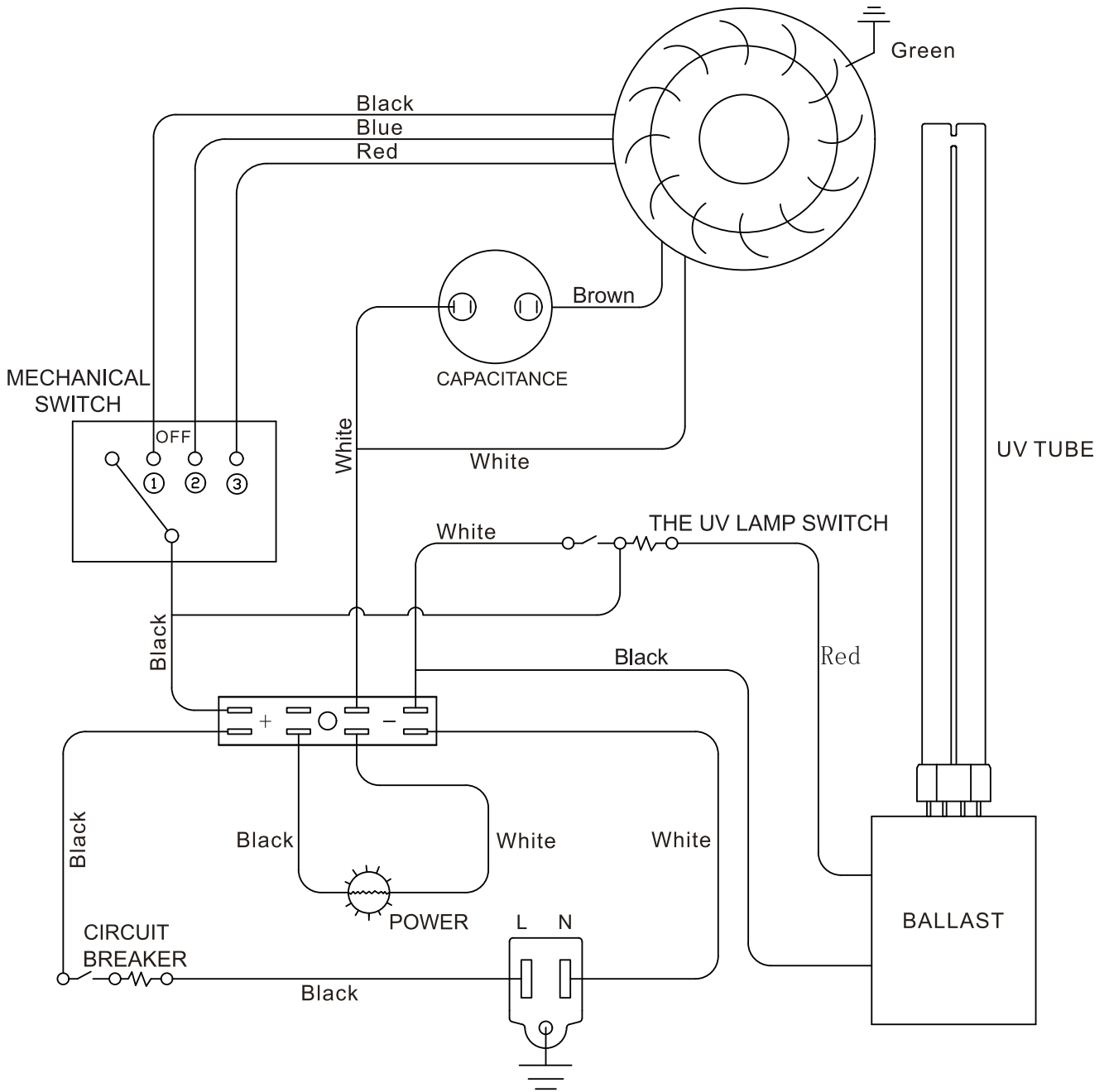
WARNING

1. Do not operate without a HEPA filter! Failing to use a HEPA filter or using an unauthorized power cord may cause damage to the electrical system or mechanical parts.
2. When replacing the filter, please always wear approved protective equipment
3. Please strictly follow the "Negative Air scrubber different filter replacement standards" table to replace the filter.

Negative Air Scrubber Different Filter Replacement Standards

| Under certain conditions/ requirements | Filter | Pre-filter replacement requirements | Stage-2 filter replacement requirements |
|--|---|--|--|
| Machine runs at a specific airflow | G3 filter + activated carbon filter | Please adjust the speed to Gear 1 when using this combination. When the pressure differential gauge shows 160 pa , clean or replace the pre-filter in time, and clean the Stage-2 filter appropriately. | The activated carbon filter needs to be replaced immediately after 2-3 months of frequent use. |
| Machine running at maximum airflow | G3 filter + H13 filter | When the pressure differential gauge shows 360 pa , clean or replace the pre-filter in time, and clean the Stage-2 filter appropriately. | If after cleaning or replacing the pre-filter, the pressure differential gauge is always higher than 330 pa or the stage-2 filter has been used for more than 12 months, please replace it in time. |
| | G3 filter + F8 filter | When the pressure differential gauge shows 330 pa , clean or replace the pre-filter in time, and clean the Stage-2 filter appropriately. | If after cleaning or replacing the pre-filter, the pressure differential gauge is always higher than 300 pa or the stage-2 filter has been used for more than 12 months, please replace it in time. |
| | G3 filter + H14 filter | When the pressure differential gauge shows 280 pa , clean or replace the pre-filter in time, and clean the Stage-2 filter appropriately. | If after cleaning or replacing the pre-filter, the pressure differential gauge is always higher than 250 pa or the stage-2 filter has been used for more than 12 months, please replace it in time. |
| | G3 filter + paint mist filter | When the pressure differential gauge shows 315 pa , clean or replace the pre-filter in time. | If after cleaning or replacing the pre-filter, the pressure differential gauge is always higher than 250 pa , please replace it in time. |
| NOTE | All filters cannot be washed with water and cleaned by metal brushes. If high-pressure gas is used for cleaning, please control the pressure within 300 kpa to avoid damaging the filter. ATTENTION: DO NOT CLEAN THE PAINT FILTER. | | |

Wiring Diagram



Specification

| | |
|----------|----------------------------------|
| Category | PuriSystems HEPA Pro UVIG |
| Power(V) | 115V AC 60 Hz |
| Power(W) | High: 0.85 kW Low: 0.75 kW |
| Airflow | High: 2000 CFM Low: 800 CFM |
| Size | 34.8 x 27.2 x 26 inch |
| Weight | 127.8 lbs |

WARRANTY

All warranty benefits apply to the original owner only. Warranty cannot be transferred or assigned.

1 YEAR (FROM DATE OF PURCHASE): PuriSystems warrants the unit's parts will operate free of defects in material or workmanship. This includes factory laborers. At its discretion, PuriSystems will replace defective parts, including factory labor. This does not include transportation costs.

Customer Responsibilities: In order to take advantage of the warranty service, the customer must do the following:

1. Customer must provide normal care and maintenance (including, but not limited to cleaning filters)
2. Removal and re-installation of the unit is the sole responsibility of owner.
3. If the customer cannot return unit to certified repair center, all costs associated with shipment are borne by the customer. In addition, all ancillary charges related to freight shipments, including but not limited to palletizing, wrapping, labeling, and pickup are associated with the customer.
4. If shipped, the customer is responsible for all risk of loss or damage.

Purisystems Warranty Steps:

1. Once the goods are received, the customers must log in www.purisystems.com to fill out the warranty registration form and submit to the PuriSystems company. We will receive your purchasing and installation information and save it. If no warranty registration is sent to us the warranty period will begin the day the shipment left the warehouse. Please be sure to record the serial # and date of installation. You will need this information to receive the RA number.
2. If warranty service is necessary, customers must contact PuriSystems Tech Support by email at sales@purisystems.com or 888-990-7469 to receive a Return Authorization. Once an RA has been issued, customers should bring the unit to a certified repair center. PuriSystems will arrange the shipping to bring the unit back to the PuriSystems warehouse (at the expense of the customers) if customers are not available.
3. After the unit has been received by PuriSystems (whether at a repair center or the warehouse), PuriSystems will have an initial inspection. If it is determined to be an invalid warranty claim (see exclusions below), customers have to pay for all associated repair costs and shipping costs for units repair.
4. Customers can pick up the unit after repair at their own expense for shipping. Units will be rigorously tested before it is sent back to the customer.
5. If the unit can no longer be fixed and it is within the warranty period where it is determined to be a valid warranty claim, we will ship a new unit to the customer within the same year warranty period from the date of replacement.
6. After parts are repaired or replaced by PuriSystems, the original warranty period continues to apply until it meets its deadline. No extensions to the original warranty period.

Limited Warranty Exclusions

This limited warranty covers manufacturing defects in materials or workmanship encountered in normal household, commercial or noncommercial use of this product shall not cover the following:

- Damage occurs in uses for which this product was not intended for.
- Damage caused by unauthorized modification or alteration of the product.
- Cosmetic damage including scratches, dents, chips, and other damage to the product's finishes.
- Damage caused by abuse, misuse, pest infestation, accident, fire, floods, or other acts of nature.
- Damage caused by incorrect electrical line current, voltage, fluctuations, and surges.
- Damage caused by failure to perform proper maintenance of the product.

The use of this product in a SPA or a room with an OUTDOOR POOL invalidates or voids the limited warranty.

IMPORTANT NOTICE: Keep the item's packaging in case warranty service is required.

PuriSystems WARRANTY REGISTRATION CARD

Name:

Order Number:

[Return to: PuriSystems Solutions](#)

Address:

Model:

Serial #:

City:

Installer:

State:

Registration Date #:

Zip:

▶ If you have any questions, please feel free to contact us at sales@purisystems.com or visit www.purisystems.com

Phone #:

▶ Scan QR Code for Warranty Registration:

Email:



