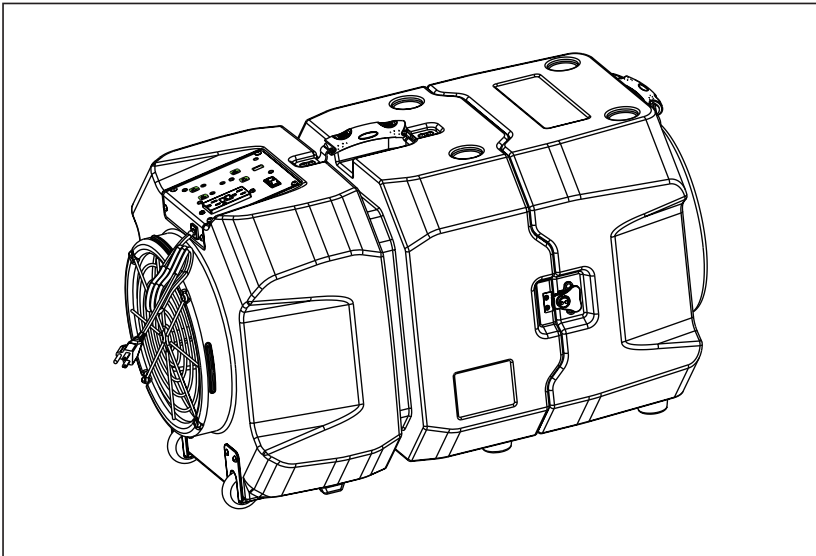




- ☑ **PuriCare S1**
- ☑ **PuriCare S1 UV**
- ☑ **PuriCare S1 UVIG**

Owner's Manual



Addr: 8605 SANTA MONICA BLVD #79525
WEST HOLLYWOOD, California, 90069 USA

E-mail: sales@purisystems.com

Tel: 880-990-7469

※ Keep this manual in a visible place near the machine for easy access.

Table of Contents

Safety Instructions.....	1
Application.....	2
How It Works.....	3
Key Features.....	3
Control Panel.....	4
Filter.....	6
Wiring Diagram	7
Specification.....	8
Warranty.....	9
Limited Warranty Exclusions.....	10

WARNING!

Please note that PuriSystems PuriCare S-Series products can only be used with PuriSystems-approved components. If you use non-approved parts or make modifications to the machine, your warranty may be voided. Contact an authorized dealer for further assistance.

SAFETY POLICY

Note: Please read these instructions before operating this product.

Failure to observe the following warnings may result in injury.

- The machine must be grounded.
- Please check if the filter is damaged before use.
- Please check if the power cord is damaged (abrasion, cut, etc.) before use. Don't remove any labels. Replace damaged labels.
- This machine can stack a maximum of two models of the same type, and don't place heavy objects on the power cord.
- When you plug the power cord into the power outlet, please turn off the power switch before using the machine. If water has entered the product or the power supply, unplug the power cord and dry it completely before using it.
- Please unplug the power cord during lightning or thunderstorm.
- Don't place the product in a damp location. This may result in hazards such as electrical leakage or electric shock.
- Remove all obstructions from the inhalation and exhalation openings.
- When cleaning the surface of the product, you should unplug the power cord and wipe it with a soft cloth, but don't use petroleum distillate, Use solvent or thinner as cleaning agent.
- Don't put hands or foreign objects into the inhalation and exhalation openings. This may cause failure of the product or personal injury.
- Is used to change or explain that there is a risk of fire, electric shock, or personal injury during cleaning and user maintenance (e.g. lubrication).
- Keep the work area clean, tidy and well lit.
- Do not operate the machine when flammable and volatile liquids (such as gasoline, diesel or jet fuel) are nearby. Doing so could cause an explosion.
- When using PuriSystems PuriCare S-Series products indoors, please always turn off combustion appliances such as fireplaces, furnaces, water heaters, and HVAC systems to avoid the risk of reverse emission of carbon monoxide gas.
- Instruct the user to unplug the power cord or disconnect the power supply to the unit before servicing place.

INTRODUCTION

The *PuriSystems PuriCare S1-Series* product is a practical and powerful filtration system designed to purify the air. *PuriCare S1-Series* products utilize an effective combination of air circulation and advanced filtration to remove airborne particles, including dust, pollen, and pet dander. *PuriCare S1-Series* is particularly suitable for remediation work, such as addressing issues related to water, sewage, and fire damage.

APPLICATION

Odor Control

PuriSystems PuriCare S1-Series products are equipped with a 2-in-1 H13 HEPA and Activated Carbon Filter, providing excellent odor control. The activated carbon component efficiently traps a variety of odor-causing gas molecules, including volatile organic compounds (VOCs), smoke, soot, and paint odors.

Other Uses

The air cleaner is versatile and suitable for a variety of applications:

- Fire damage restoration
- Dust control
- Demolition operations
- Construction projects and renovations
- Asbestos abatement
- Clean rooms
- Hospital and healthcare settings
- Construction processes
- Renovation projects

IDENTIFY

Congratulations on your purchase of a *PuriSystems PuriCare S1-Series* air purifier. To be eligible for the warranty program, be sure to record the serial number and date of purchase.

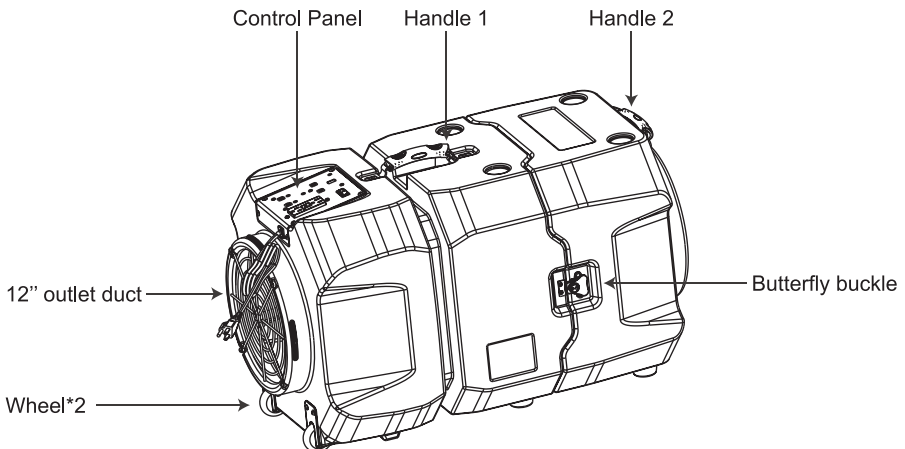
Serial Number: _____

Date of Purchase: _____

HOW IT WORKS

1. **Pre-Filter:** The initial line of defense captures dust and allergen particles, preventing them from progressing further.
2. **H13 HEPA/Activated Carbon Filter:** The dual-action filter combines the power of an H13 HEPA filter, targeting particles as small as 0.3 microns and capturing 99.99% of dust and allergens. Simultaneously, the Activated Carbon component efficiently absorbs a variety of airborne pollutants.
3. **UV-C Light Technology (Mid-range and High-end Models):** Exclusive to mid-range and high-end models, UV-C light technology can be activated or deactivated using a controllable switch. This advanced technology breaks down odor molecules by activating carbon dioxide, enhancing the overall air purification process.
4. **Ion Generator (High-end Models):** Available in high-end models, the ion generator can be activated or deactivated with a switch. Negative ions are released to reduce dust, contributing to a comprehensive and effective air purification experience.

KEY FEATURES



INTRODUCTION

Control Panel Circuit Breaker

The circuit breaker protects the equipment when more than 12 Amps of current flows through the circuit. In this case, the breaker cuts off the power to the equipment.

GFCI Outlet

If a room needs more air filtration, you can "daisy-chain" or connect 3 identical PuriSystems PuriCare S-Series products. The maximum amperage is 12 Amps when the unit is off and 9 Amps when the unit is on. Other devices can be plugged into the same outlets as PuriSystems PuriCare S-Series products as long as the maximum amperage isn't exceeded.

Digital Tube

Displays the current airflow level. Gears 1-5.

Up/Down Buttons

Press the up/down button to adjust the air volume speed. Press the up button to increase the air volume and the down button to decrease the air volume.

UV-C Light Switch

Used to turn the UV light ON and OFF.

Ion Generator Switch

Used to switch off the ionizer.

Differential Pressure Indicator

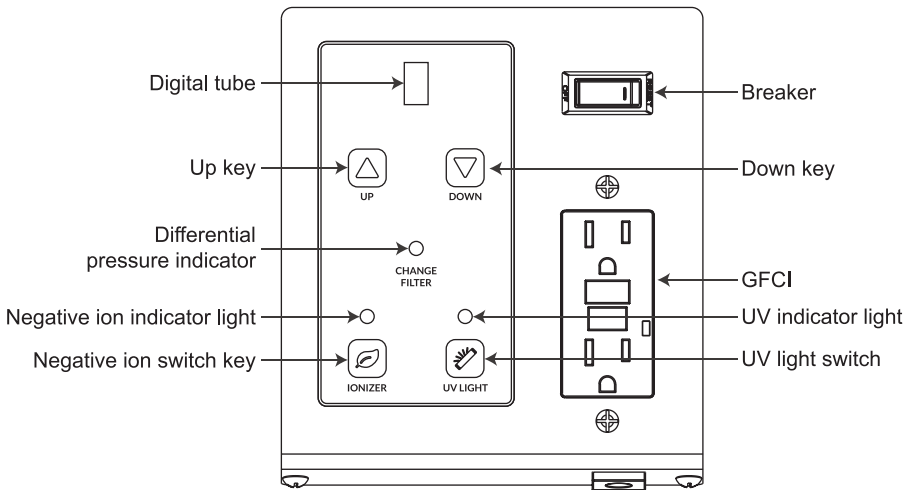
When the indicator is lit, it means that the filter needs to be replaced or cleaned.

Negative Ion Indicator Light

Indicates the operating status of the negative ions. Illuminates when they're working, doesn't illuminate when they're off.

UV Light Indicator Light

Indicates the operating status of the UV light, lights up when it's ON and stops when it's OFF.



Replace Filter

1. This is how you replace the coarse filter:

- 1.1 Loosen the butterfly buckle that secures the upper and lower bowls. Separate the upper and lower shells. (Figure 1)
- 1.2 Place the air inlet of the lower shell on a apartment road, then disassemble the butterfly-shaped press block and remove the filter screen. (Figure 2)
- 1.3 Insert the filter to be replaced into the filter groove and install it in reverse order of the disassembly steps.

2. Note the replacement method of the filter:

- 2.2 Loosen the butterfly buckle securing the upper and lower shells. Separate the upper and lower shells. (Figure 1)
- 2.3 Place the air inlet of the main shell on a apartment road and check the working steps on the composite net to rotate the composite net counterclockwise. (Figure 3)
- 2.4 Tighten the filter screen to be replaced clockwise to ensure that the filter screen is properly installed on the main shell and reinstall it in reverse order of the disassembly steps.

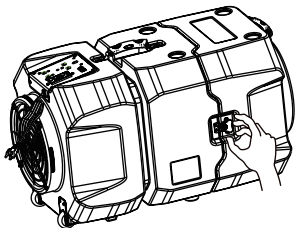


Figure 1

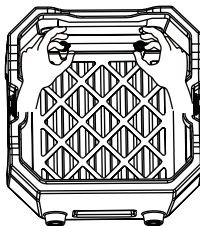


Figure 2

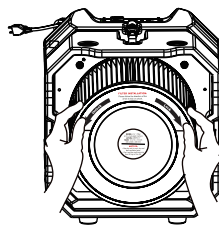
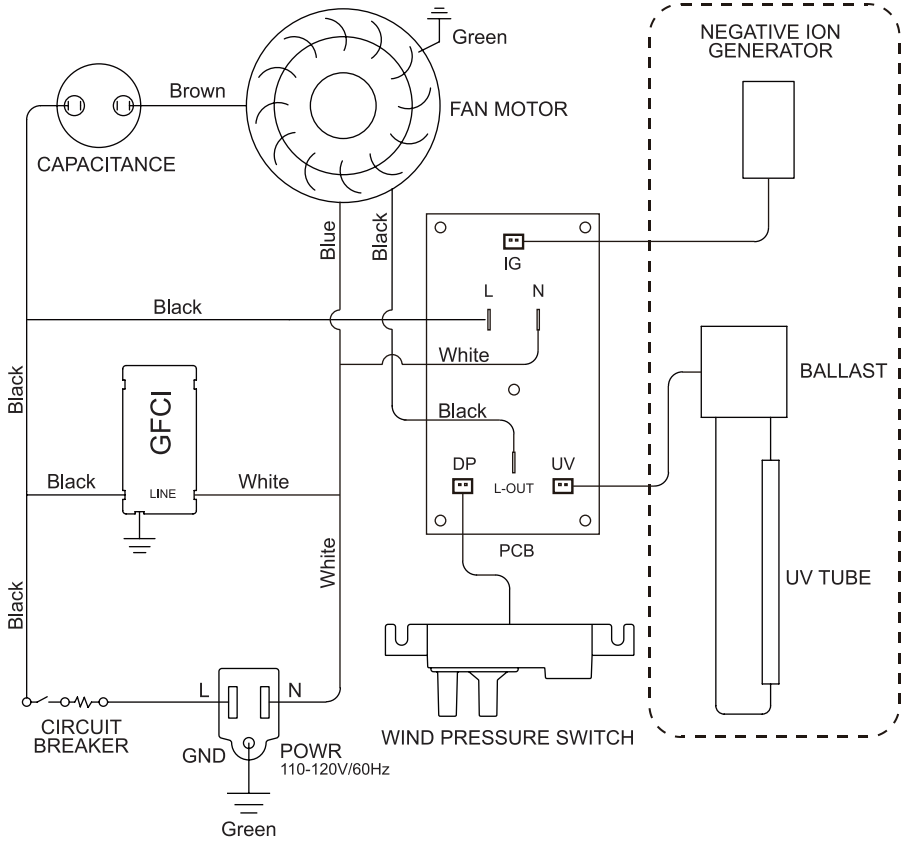


Figure 3

WARNING:

Always wear approved protective equipment when changing filters.

WIRING DIAGRAM



SPECIFICATION

Model	PuriCare S1	PuriCare S1 UV	PuriCare S1 UVIG
Voltage	115 V AC, 60 Hz	115 V AC, 60 Hz	115 V AC, 60 Hz
Power	250 W	254 W	260 W
Airflow	High: 900 CFM Low: 200 CFM	High: 900 CFM Low: 200 CFM	High: 900 CFM Low: 200 CFM
Volume	31.9 × 17.7 × 18.6 inch	31.9 × 17.7 × 18.6 inch	31.9 × 17.7 × 18.6 inch
Weight	45.2 lbs	45.2 lbs	45.2 lbs
UV	✗	✓	✓
Negative ions	✗	✗	✓

WARRANTY

All warranty benefits apply to the original owner only. Warranty cannot be transferred or assigned.

1 YEAR (FROM DATE OF PURCHASE): PuriSystems warrants the unit's parts will operate free of defects in material or workmanship. This includes factory laborers. At its discretion, PuriSystems will replace defective parts, including factory labor. This does not include transportation costs.

Customer Responsibilities:

In order to take advantage of the warranty service, the customer must do the following:

1. Customer must provide normal care and maintenance (including, but not limited to cleaning filters)
2. Removal and re-installation of the unit is the sole responsibility of owner.
3. If the customer cannot return unit to certified repair center, all costs associated with shipment are borne by the customer. In addition, all ancillary charges related to freight shipments, including but not limited to palletizing, wrapping, labeling, and pickup are associated with the customer.
4. If shipped, the customer is responsible for all risk of loss or damage.

IMPORTANT NOTICE: Keep the item's packaging in case warranty service is required.

PuriSystems Warranty Steps:

1. Once the goods are received, the customers must log in www.purisystems.com to fill out the warranty registration form and submit to the PuriSystems company. We will receive your purchasing and installation information and save it. If no warranty registration is sent to us the warranty period will begin the day the shipment left the warehouse. Please be sure to record the serial # and date of installation. You will need this information to receive the RA number.
2. If warranty service is necessary, customers must contact PuriSystems Tech Support by email at sales@purisystems.com or by 888-990-7469 to receive a Return Authorization. Once an RA has been issued, customers should bring the unit to a certified repair center. PuriSystems will arrange the shipping to bring the unit back to the PuriSystems warehouse (at the expense of the customers) if customers are not available.
3. After the unit has been received by PuriSystems (whether at a repair center or the warehouse), PuriSystems will have an initial inspection. If it is determined to be an invalid warranty claim (see exclusions below), customers have to pay for all associated repair costs and shipping costs for units repair.
4. Customers can pick up the unit after repair at their own expense for shipping. Units will be rigorously tested before it is sent back to the customer.
5. If the unit can no longer be fixed and it is within the warranty period where it is determined to be a valid warranty claim, we will ship a new unit to the customer within the same year warranty period from the date of replacement.
6. After parts are repaired or replaced by PuriSystems, the original warranty period continues to apply until it meets its deadline. No extensions to the original warranty period.

LIMITED WARRANTY EXCLUSIONS

This limited warranty covers manufacturing defects in materials or workmanship encountered in normal household, commercial or noncommercial use of this product shall not cover the following:

- Damage occurs in uses for which this product was not intended for.
- Damage caused by unauthorized modification or alteration of the product.
- Cosmetic damage including scratches, dents, chips, and other damage to the product's finishes.
- Damage caused by abuse, misuse, pest infestation, accident, fire, floods, or other acts of nature.
- Damage caused by incorrect electrical line current, voltage, fluctuations, and surges.
- Damage caused by failure to perform proper maintenance of the product.

The use of this product in a SPA or a room with an OUTDOOR POOL invalidates or voids the limited warranty.

PuriSystems WARRANTY REGISTRATION CARD

Name:

Address:

City:

State:

Zip:

Phone #:

Email:

Order Number:

Model:

Installer:

Registration Date #:

Serial #:

Return to: PuriSystems Solutions

▶ If you have any questions, please feel free to contact us at sales@purisystems.com or visit www.purisystems.com

▶ Scan QR Code for Warranty Registration:





130131258