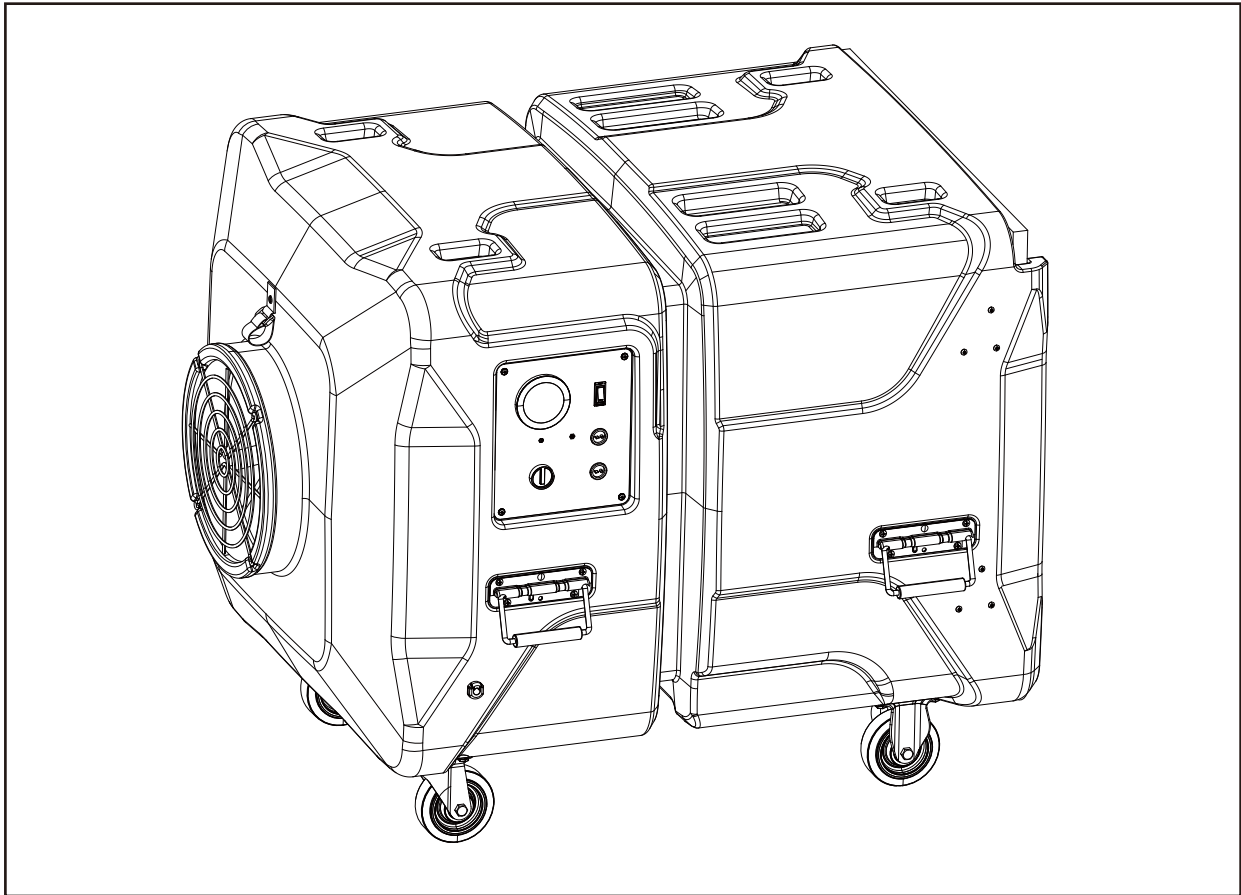


User Manual



- DecDust V1**
- DecDust V2 Pro**
- DecDust V3 Max**

Abestorm Solutions INC.

Add: 8605 SANTA MONICA BLVD#79525
WEST HOLLYWOOD, California, 90069 USA
E-mail: sales@abestorm.com

Note: These product does not meet California air cleaner regulation requirements, and cannot be shipped to California. And as we keep upgrading our product, we reserve the right to modify the product without notice in advance.

Table of Contents

Safety Notes 1

Introduction 2

Application 2

Identification 2

How it Works 2

Key Features 3

Instructions 4

Wiring Diagram 6

Specification 7

Warranty 7

WARNING!

Please note that the DecDust V1 / V2 Pro / V3 Max should only be used with parts approved by Abestorm. The use of unauthorized parts or alterations to the machine could void your warranty. Contact an approved distributor for further assistance.

SAFETY NOTES

To Avoid the Risk of Fire or Electric Shock:

- The unit must be electrically grounded.
- This machine is forbidden to stack, and do not place heavy objects on the power cord.
- Please check the power cord for damage (wear, cuts, etc.) before use.
- Please check if the filter is damaged before use.
- Do not touch the product with wet hands.
- Before plugging the power cord into the power outlet, turn off the power switch on the unit.
- When water enters the machine, pull out the power plug and completely dry the machine before use
- Unplug the power plug during thunder or thunderstorms.
- Do not place this product in a humid place. Otherwise, there may be dangers such as electric leakage or electric shock.
- Do not install in a place where flammable gas is generated. There is a danger of explosion.
- Please clear any obstructions on the air inlet and outlet before use.
- When cleaning the surface of the unit, unplug the power cord and wipe it with a soft cloth to avoid scratching the unit.
- Do not use wet cloth, wax or thinner.
- Do not put your hands or foreign objects into the air inlet or outlet. Otherwise, product failure or physical injury may occur.
- Pertaining to a risk of fire, electric shock, or injury to persons, for cleaning and user-maintenance, such as lubrication.
- When using DecDust V1 / V2 Pro / V3 Max indoors, please turn off combustion equipment such as fireplaces, furnaces, water heaters and HVAC systems to avoid the risk of reverse emissions of carbon monoxide gas.
- When repairing with DecDust V1 / V2 Pro / V3 Max, be sure to lock the casters to avoid collision accidents.
- Remind the user to disconnect the unit from the power supply before maintenance.

※ **Keep this manual in a visible place near the machine for easy access.**

INTRODUCTION

The DecDust V1 / V2 Pro / V3 Max is a convenient filtration system that cleans the air. The DecDust V1 / V2 Pro / V3 Max uses an effective blend of air flow and advanced filtration to expel airborne particles like mold spores, dust, pollen, and pet dander. The DecDust V1 / V2 Pro / V3 Max is ideal for restoration jobs, including water, sewage, and fire.

APPLICATION

Odor Control

When used with the optional activated carbon filter (P/N:), DecDust V1 / V2 Pro / V3 Max is also excellent in odor control. Simply put the carbon filter in the pre-filter tank, it can capture a variety of odor-causing gas molecules, such as volatile organic compounds VOCs, smoke, soot, and paint odors

Other Use

The air scrubber is also useful in many other applications, including mold repair, fire damage, dust control, and sewage repair.

IDENTIFICATION

Congratulations on purchasing a Abestorm DecDust V1/V2 Pro / V3 Max air scrubber. In order to take advantage of the warranty plan, be sure to note the serial number and date of purchase.

Serial Number: _____

Date of Purchase: _____

HOW IT WORKS

When set to maximum airflow, the scrubber draws air through two types of filters- a pre-filter and a HEPA / Activated Carbon Filter.

1.Pre-Filter

The first phase of filtration, the prefilter, captures initial dust and allergen particles .

2.Pure HEPA Filter H13

The second phase of filtration, the HEPA / Activated Carbon Filter, catches smaller particles, down to 0.3 microns. Contributes to the control and prevention of the growth of bacteria, germs, and mold. Captures 99.99% of dust and allergens.

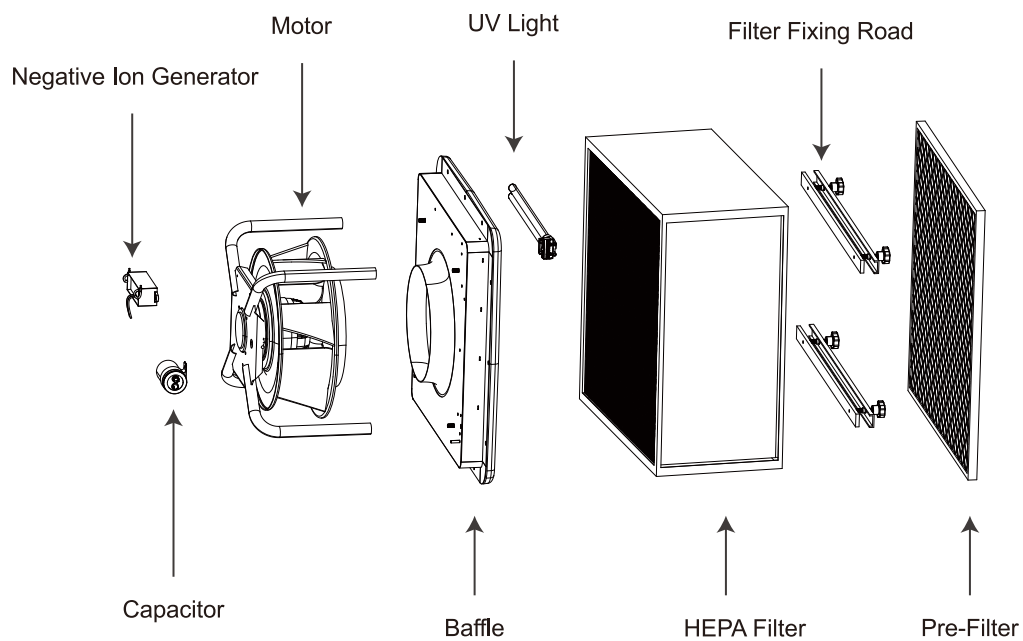
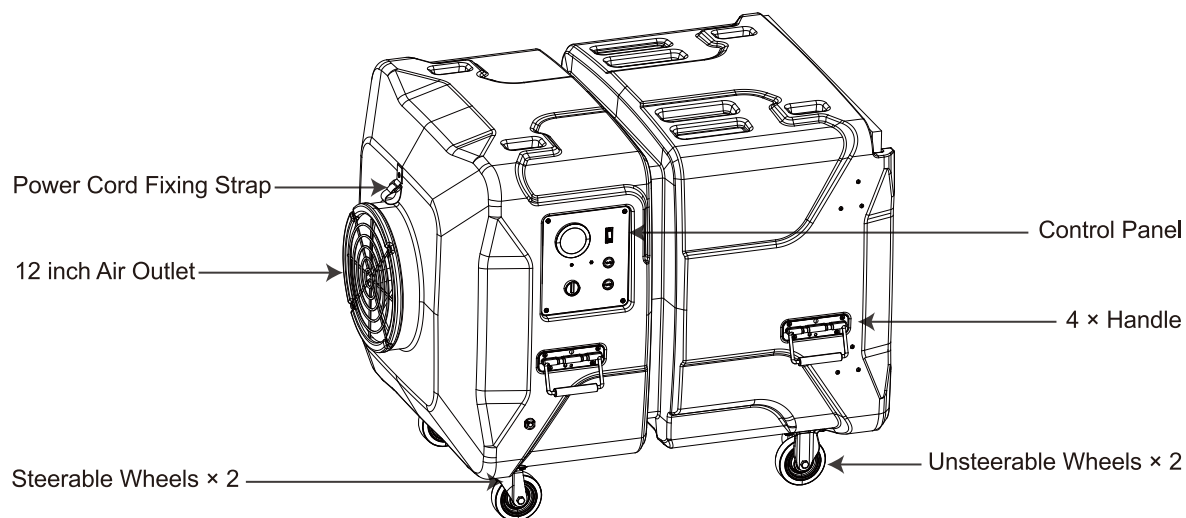
3.UV-C Light

UV-C light technology works with filters to enhance the elimination of airborne germs titanium dioxide is activated by the UV-C light to decompose remaining odor molecules caused by smoking, cooking, and pets. (Only for DecDust V2 Pro / V3 Max)

4.Ion Generator

The ion generator can be selected to work or not through the ion generator switch. Negative ions can lower blood pressure, improve sleep and lung function, invigorate people, and improve body imagination and immunity. (Only for DecDust V3 Max)

KEY FEATURES



INSTRUCTIONS

THE CONTROL PANEL

Circuit Breaker Switch

The Circuit Breaker Switch protects the unit if there are more than 10 amps of electricity passing the circuit. If this occurs, the switch will cut off the power to the unit.

Pressure Gauge

At maximum air volume, Usually, the pressure difference value is located at 240 Pa, and the value increases with the use time, when it reaches 280 Pa, please replace the filter in time.

Gear Switch

Spin the knob to adjust the unit.

UV-C Light Switch

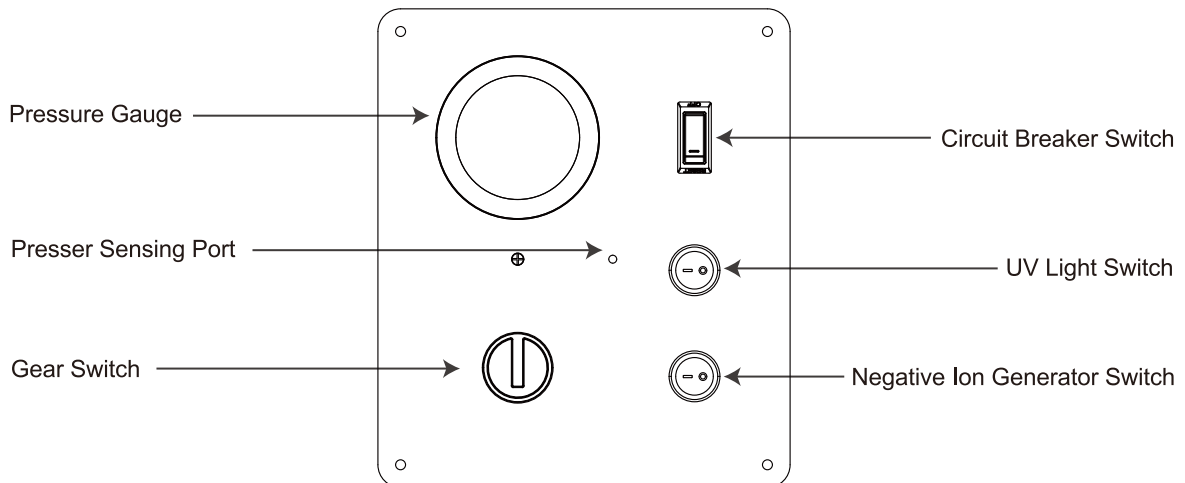
For turn on/off UV Light.

Lon Generator Switch

For turn/off ion generator.

Pressure Sensing Port

Used for the differential pressure gauge to detect the pressure value, pay attention to check whether the port is blocked before use.



FILTER

Filter grade and size chart



1. Size: 24.0×24.0×11.5(inch)
2. Activated carbon filter has efficient adsorption performance and can be used for air purification. The activated carbon filter material contains 100% surface adsorption capacity to remove volatile organic compounds (such as formaldehyde, toluene, hydrogen sulfide, chlorobenzene) and pollutants in the air.

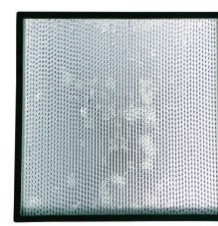


1. Size: 24.0×24.0×11.5 (inch)
2. H14 Filter, The effective rate of 0.1 micron and 0.3 micron reaches 99.998%, which is the most effective filter for pollutants such as smoke, dust and bacteria.



PRE-FILTER PANEL

1. Size: 27.0×26.0×0.8 (inch)
2. Aluminum frame is put around the outer edge. It can collect dust of 10~20μm up to 90% in accordance with the standard of weight method.



HEPA FILTER H13

1. Size: 24.0×24.0×11.5 (inch)
2. It can collect dust of 0.3μm up to 99.97% in accordance with the standard of weight method.



1. Size: 24.0 × 24.0 × 11.5 (inch)
2. F8 Medium Efficiency Filter
Applicable models: DecDust V1
It can capture dust particles larger than 1 um



1. Size: 24.0 × 24.0 × 11.5 (inch)
2. Paint Air Filter (F6)
Applicable models: DecDust V1
It can effectively filter paint, oil, glass raw materials, epoxy resin, asphalt, Teflon, liquefied workpieces, plastics, porcelain, dyes, coating, air drying porcelain, etc.

Note: Filters other than H13 and pre-filter need to be purchased separately.

Filter replacement time

1. The filter is damaged due to a long-time use.
2. The inhaling power falls due to a clogging in the filter.

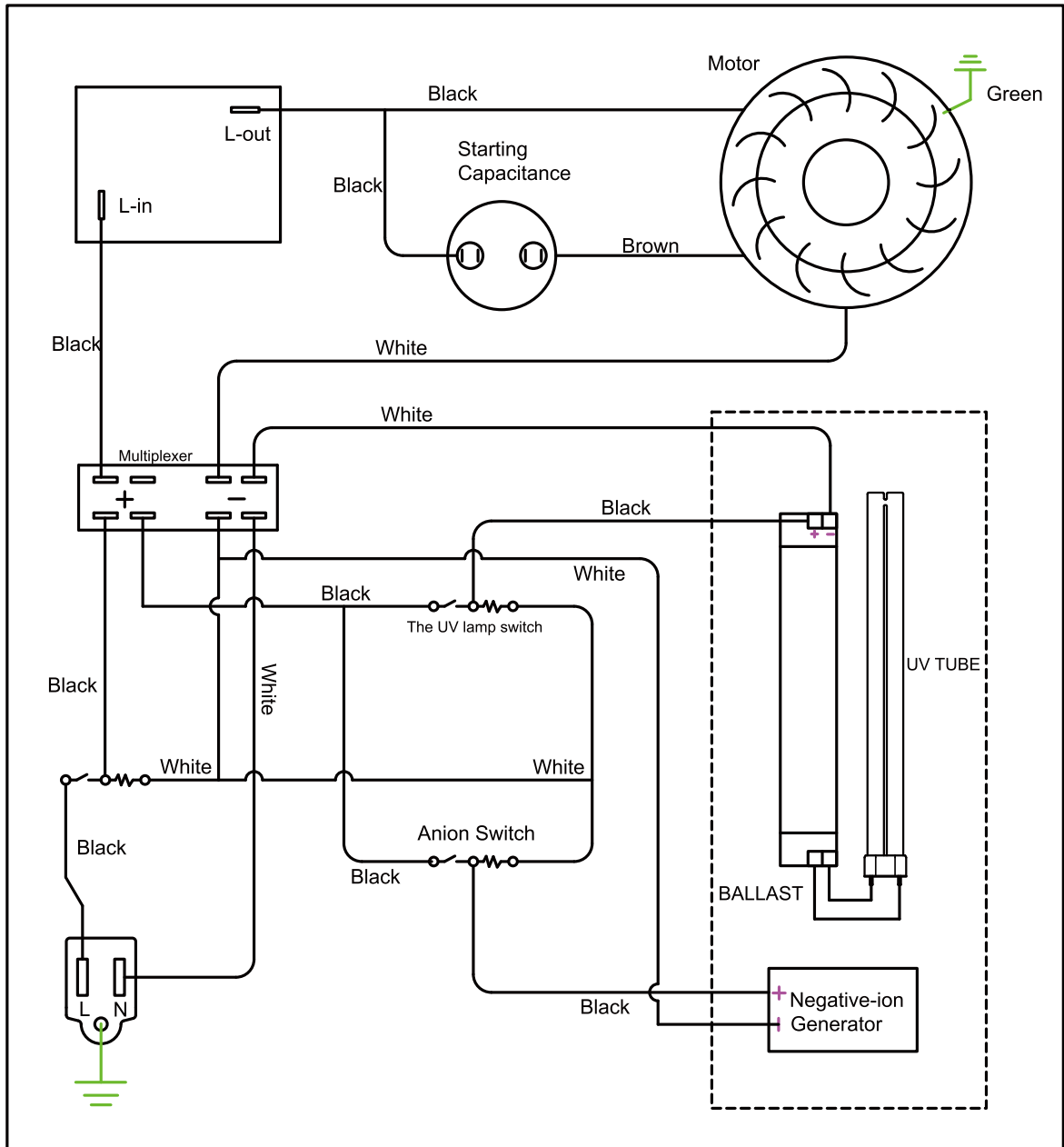
Horizontal air scrubber different filter replacement standards

Under certain conditions/requirements	Filter	Primary filter replacement requirements	High efficiency filter replacement requirements
Machine runs at a specific airflow	G3 filter + activated carbon filter	When the air volume knob is turned to the specific gear of activated carbon and when the differential pressure gauge shows a differential pressure value of 200pa , please clean or replace the primary filter.	When the differential pressure gauge shows a differential pressure value of 300pa , please replace the activated carbon filter.
Machine running at maximum airflow	G3 filter + H13 filter	When the differential pressure gauge shows a differential pressure value of 280pa , please clean or replace the primary filter.	When the differential pressure gauge shows a differential pressure value of 330pa , please replace the H13 high efficiency filter.
	G3 filter + F8 filter	When the differential pressure gauge shows a differential pressure value of 240pa , please clean or replace the primary filter.	When the differential pressure gauge shows a differential pressure value of 330pa , please replace the F8 high efficiency filter.
	G3 filter + H14 filter	When the differential pressure gauge shows a differential pressure value of 310pa , please clean or replace the primary filter.	When the differential pressure gauge shows a differential pressure value of 330pa , please replace the H14 high efficiency filter.
	G3 filter + paint mist filter	When the differential pressure gauge shows a differential pressure value of 220pa , please clean or replace the primary filter.	When the differential pressure gauge shows a differential pressure value of 330pa , please replace the paint mist high efficiency filter.

WARNING

1. Do not operate without a HEPA filter! Not using a HEPA filter or using an unauthorized power cord may cause damage to the electrical system or mechanical parts.

Wiring Diagram



Specification

Category	DecDust V1 / V2 Pro / V3 Max
Power(V) AC	115V, 60Hz/5.5A
Power(W)	High: 600W Low: 200W
Airflow	High: 2000 CFM Low: 800 CFM
Size	39.76*29.33*32.68in
Weight	132.28lbs

WARRANTY

This limited warranty starts from the date of purchase. Abestorm Solutions Inc. warrants to the original purchaser that this Abestorm product is free from manufacturing defects in material or workmanship for the limited warranty period of:

Six (6) Month parts and labor. This includes the shipments charges for replacement parts or units.

One (1) year parts and labor. The shipment fee to send the unit back to the manufacturer is not covered.

Ten (10) years. Polyethylene body ONLY.

This limited warranty is valid only on products purchased from the manufacturer or Abestorm authorized dealer and operated, installed, and maintained according to the instructions included in this user guide or furnished with the product. Abestorm Solutions Inc will not provide in-home service during or after the warranty period. You may be responsible for the shipping charge to bring the product to the manufacturer for service.

To receive warranty service, the purchaser must contact Abestorm at (888)276-9833 or sales@abestorm.com . Proof of purchase or order number is required to receive warranty service. During the applicable warranty period, a product will be repaired or replaced at the sole option of Abestorm.

IMPORTANT NOTICE: Keep the item's packaging in case warranty service is required.

Limited Warranty Exclusions

This limited warranty covers manufacturing defects in materials or workmanship encountered in a normal household, commercial or noncommercial use of this product and shall not cover the following:·Damage occurs in uses for which this product was not intended for.

- Damage caused by unauthorized modification or alteration of the product.
- Cosmetic damage including scratches, dents, chips, and other damage to the product's finishes.
- Damage caused by abuse, misuse, pest infestation, accident, fire, floods, or other acts of nature.
- Damage caused by incorrect electrical line current, voltage, fluctuations, and surges.
- Damage caused by failure to perform proper maintenance of the product.
- Damaged caused by not using the required filters for operation. (Pre-filter, HEPA & Activated Carbon Filter)
- Damaged caused by using in a high humidity environment (75% or higher).
- Damaged caused by using next to combustible materials/equipment that may or may not produce carbon monoxide.

